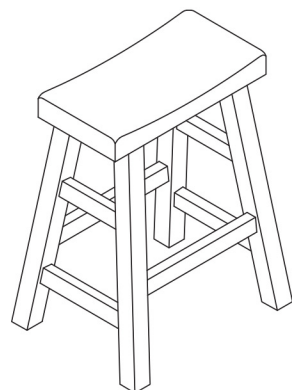


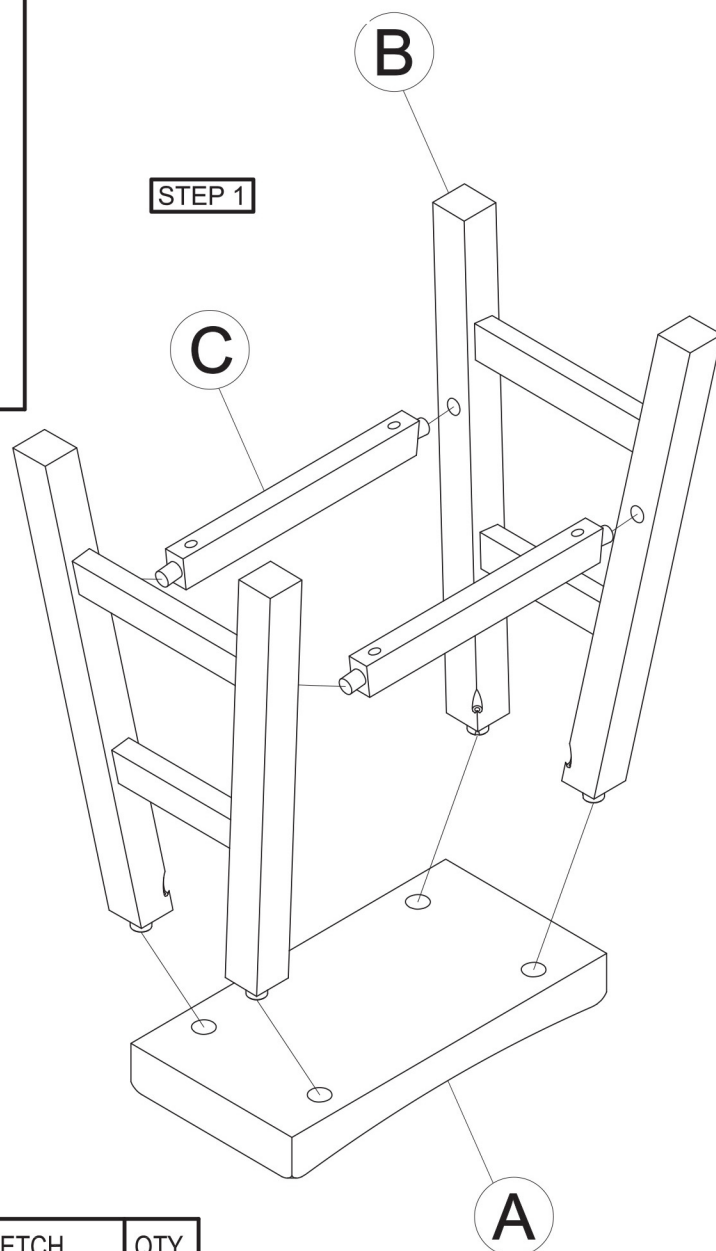


ASSEMBLY INSTRUCTIONS #1768-24 #1768-30

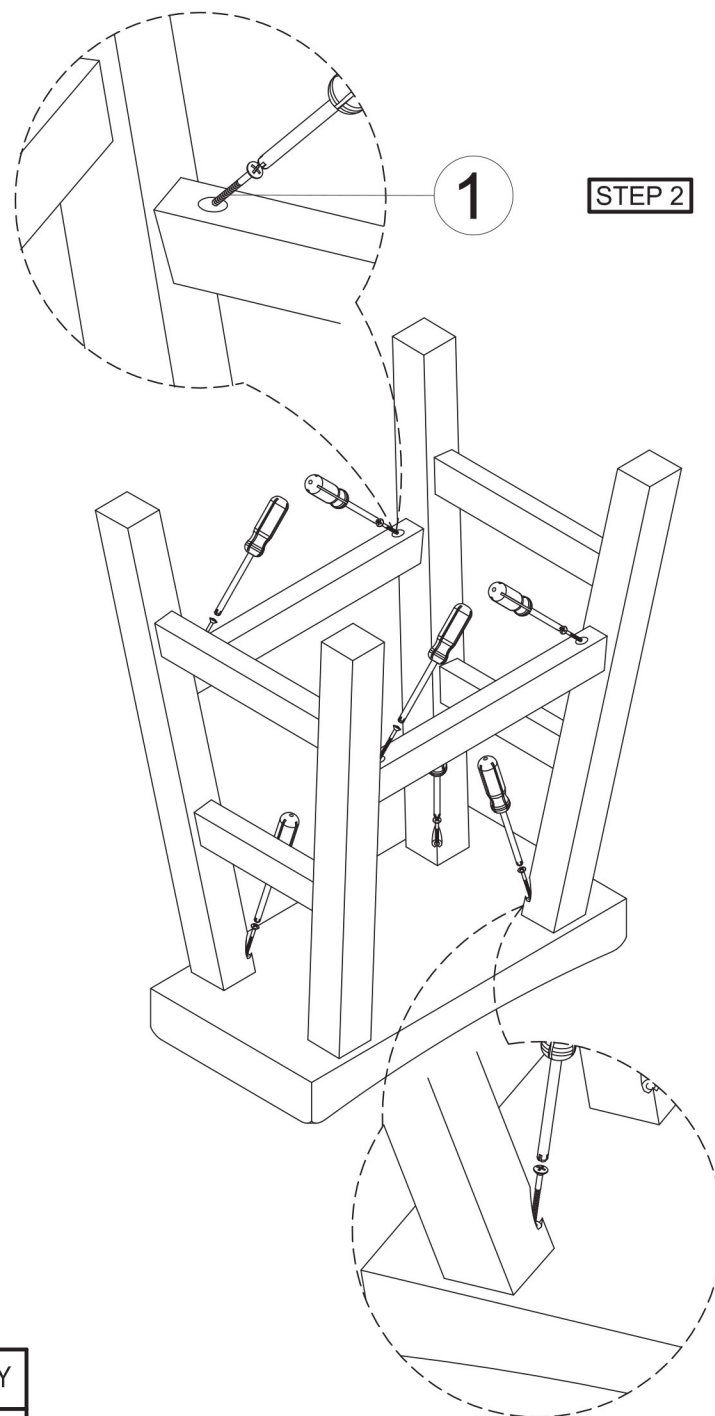
ASSEMBLY STEP



STEP 1



STEP 2



PART LIST

NO	DESCRIPTION	SKETCH	QTY
A	Seat		1 pc
B	Leg		2 pcs
C	Stretcher		2 pcs

HARDWARE LIST

NO	SKETCH	HARDWARE	QTY
1		Screw Ø8 x 2"	8 pcs
		Phillip Headscrew driver (not included)	